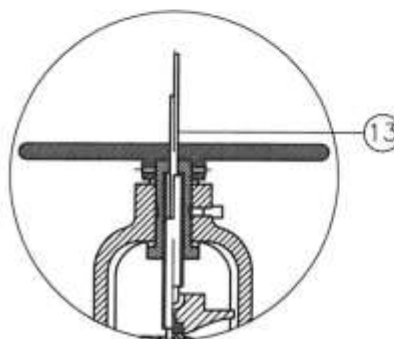
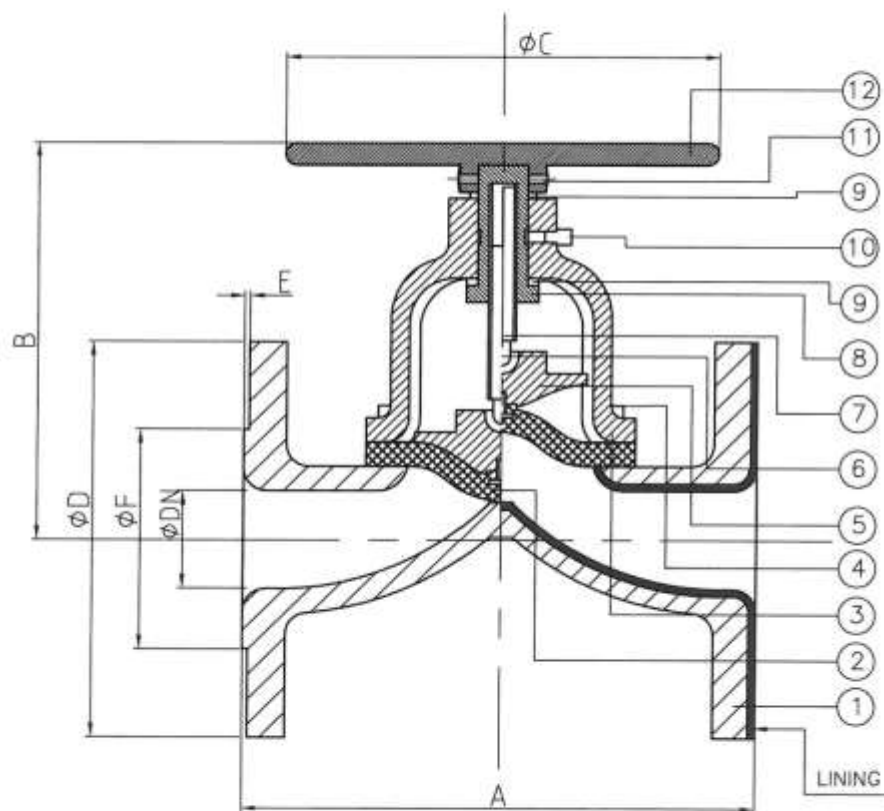


DIAPHRAGM VALVE

DN	INCHES	Ø C	Ø D		B	A		Ø F	E	WEIGHT
			PN10/16	ANSI125/150		DIN3202	BSS156			
15	1/2"	67	95	89	90	130	108	50	2	2
20	3/4"	100	105	99	120	150	117	58	2	4
25	1"	100	115	108	123	160	127	68	2	4,5



REF	DENOMINATION	MATERIAL
1	Body	Cast iron GG25*
2	Diaphragm	Rubber*
3	Bonnet	Cast iron GG25*
4	Union studs	Steel
5	Compressor	Cast iron GG25
6	Pin (DN15)	Steel
6	Pin (DN20-DN25)	Stainless steel
7	Stem	SS303
8	Stem nut	F212
9	Washer (DN15)	PTFE
9	Washer (DN20-DN25)	Brass
10	Greasing	Standard
11	Pin	Stainless steel
12	Handwheel	Cast iron GG25*
13	Indicator	Stainless steel

BODY MATERIAL	RUBBER MATERIAL	LINING
Cast iron GG25	Butyl (BU)	Antigraze rubber
Ductil iron GGG40	EPDM (EP)	Butyl
Ductil iron GGG50	Hypalon (HY)	Ebonite
AISI316 (CF8M)	Natural rubber (BL)	Halar (ECTFE)
AISI316L (CF3M)	Neopreno (NE)	Hypalon
AISI304 (CF8)	Nitrile (NBR)	Neopreno
AISI304L (CF3)	PTFE (TE)	Rilsal
ASTM A216 WCB	Reinforced butyl (BUR)	Teflon
Bronze	Silicone (SI)	
Chromo 30%	Viton (VI)	
Carpenter 20		

MAX. WORKING PRESSURES: 10Kg/cm2

reserves the right to modify the measures without previous notice