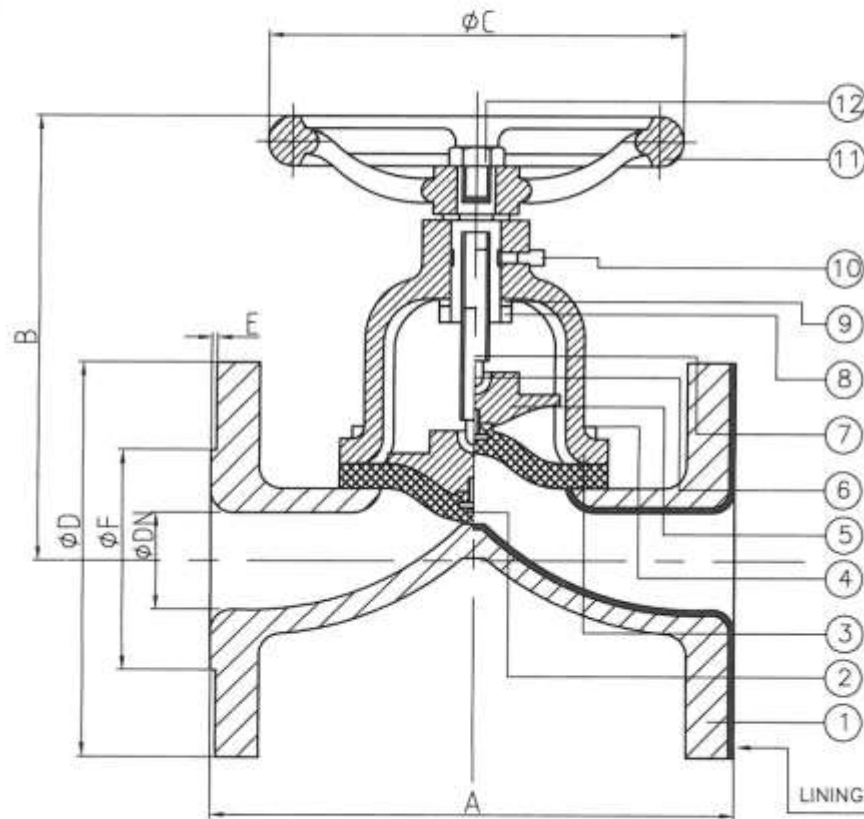


DIAPHRAGM VALVE

DN	INCHES	øC	øD		B	A		øF	E	WEIGHT
			PN10/16	ANSI125/150		DIN3202	BSS156			
65	2 1/2"	200	185	178	268	290	216	122	3	25
80	3"	200	200	190	273	310	254	138	3	28



REF.	DENOMINATION	MATERIAL
1	Body	Cast iron GG25*
2	Diaphragm	Rubber*
3	Bonnet	Cast iron GG25*
4	Union studs	Steel
5	Compressor	Cast iron GG25
6	Pin	Stainless Steel
7	Stem	SS303
8	Stem nut	F212
9	Bearing	Standard
10	Greasing	Standard
11	Handwheel	Cast iron GG25*
12	Handwheel fix stud	Steel
13	Indicator	F212

BODY MATERIAL	RUBBER MATERIAL	LINING
Cast iron GG25	Butyl (BU)	Antigraze rubber
Ductil iron GGG40	EPDM (EP)	Butyl
Ductil iron GGG50	Hypalon (HY)	Ebonite
AISI316 (CF8M)	Natural rubber (BL)	Halar (ECTFE)
AISI316L (CF3M)	Neopreno (NE)	Hypalon
AISI304 (CF8)	Nitrile (NBR)	Neopreno
AISI304L (CF3)	PTFE (TE)	Rilsal
ASTM A216/WCB	Reinforced butyl (BUR)	Teflon
Bronze	Silicone (SI)	
Chromo 30%	Viton (VI)	
Carpenter 20		

MAX. WORKING PRESSURES: 10Kg/cm2

reserves the right to modify the measures without previous notice